

OPTICON

Product Catalog Barcode Scanning Solutions



H-33 Reliable Android Mobile Device



Opticon's Featured Product Solutions:



RS-2006



OPL-9815

Mobile Solutions

- H-31/ H-33: Rugged Android mobile computers featuring a high speed 2D imager barcode scanner and 5" color touchscreen display with Gorilla Glass®. H-31 is Wi-Fi only, while the H-33 is Wi-Fi, 4G (WCDMA/ GSM/LTE) with GPS. Both models support Bluetooth 4.2LE, WLAN, Wi-Fi, NFC and USB.

Companion Scanners and Wearables

- PX-20: 2D imager Bluetooth companion scanner for Android, Apple and Windows devices
- RS-2006: Small, hands-free Bluetooth ring scanner
- Wearables: Our newest family of ergonomic, hands-free scanning solutions include both cuff and glove options.

Handheld Solutions

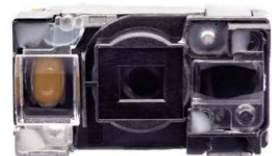
- OPH-1005: Small, rugged mobile computer featuring a vibrant color display
- OPL-9815: GPS, Bluetooth data collector with 18-key operation and back lit display

Fixed Mount Solutions

- F-100: Extremely fast (700 scans/seconds) CCD barcode scanner—standard range and wide angle
- M-11: Omnidirectional 2D imager barcode scanner built for exceptional tolerance in moving applications

OEM Solutions

- MDC-200: Small form factor, low power, high speed CCD barcode scan engine
- MDI-5010: low power 800MHz CPU and an ultra-fast 120 (fps) CMOS imager sensor enables high speed scanning of 1D and 2D barcodes and OCR fonts



MDI-5010

Opticon Designs and Manufactures a Broad Portfolio of Data Capture Products

Develop high quality, cost-effective solutions with the broad portfolio of data capture products available from Opticon. From handheld scanners to Android mobile devices, and from USB and Bluetooth companion scanners to OEM scan engine modules, organizations in retail, healthcare, warehousing, manufacturing and transportation will be more productive and profitable when they work with Opticon.



About Opticon

Since 1976, Opticon has been an industry pioneer in developing and manufacturing world class 1D laser, 2D imaging and CCD barcode scan engines. Our scan engines have powered a broad portfolio of data capture products offering advances in performance, quality and reliability with an installed base in the millions worldwide. For more information, visit www.opticonusa.com.

Rugged Android Mobile Devices

Featured Opticon Rugged Android Mobile Devices are listed below. To view the complete product line and detailed specifications, visit www.opticonusa.com.

[View all Mobile Solutions Online](#)



H-28 Android Mobile Computer®

- Integrated high speed 2D imager barcode scanner
- Qualcomm SD 617 A53 Octa-core platform: 1.5 GHz Quad-core and 1.2 GHz Quad-core
- 5" brilliant color touchscreen display with Gorilla® Glass, anti-reflective coating and signature capture
- Bluetooth 4.1 LE, WLAN, Wi-Fi, (802.11 a/b/g/n/ ac/r), NFC, USB
- IP67 rating against dust and moisture, survives multiple 6' drops to concrete, MIL-STD 810G
- User/field-replaceable battery packs (no special tool needed), supports hot-swap mode, standard and extended battery packs available
- Rear facing 16 MP auto-focus digital camera, LED flash, front facing 5 MP



H-29 Android Mobile Computer®

- Fully integrated, high speed 2D imager barcode scanner
- Qualcomm SD 617 A53 Octa-core platform: 1.5 GHz Quad-core and 1.2 GHz Quad-core
- 4.3" brilliant color touchscreen display with Gorilla® Glass, anti-reflective coating and signature capture
- Physical alphanumeric keypad allows direct data entry with no interruption on the display, special anti-abrasion coating on key tops
- Bluetooth 4.1 LE, WLAN, Wi-Fi, (802.11 a/b/g/n/ac/r), NFC, USB
- IP65 rating against dust and moisture, survives multiple 6' drops to concrete, MIL-STD 810G
- 25° downward scan angle makes frequent barcode scanning as comfortable as possible
- Rear facing 8 MP auto-focus digital camera, LED flash, low light mode



H-31/33 Android Mobile Computer®

- Rugged mobile computers with a fully integrated, high speed 2D imager barcode scanner
- Qualcomm SD450 A53 1.8 GHz Octa-core
- 5" brilliant color touchscreen display with Gorilla® Glass, anti-reflective coating and signature capture
- Android 9 for familiar and convenient navigation
- Two models available: H-31 Wi-Fi only and H-33 is Wi-Fi, 4G (WCDMA/GSM/LTE) with GPS. Both models support Bluetooth 4.2LE, WLAN, Wi-Fi, NFC and USB
- IP67 rating against dust and moisture, survives multiple 6' drops to concrete (with protective bumper), MIL-STD 810G
- Memory: 64 GB EMMC, 4 GB LPDDR3 RAM and MicroSD
- Rear facing 16 MP auto-focus digital camera, LED flash

Next Steps

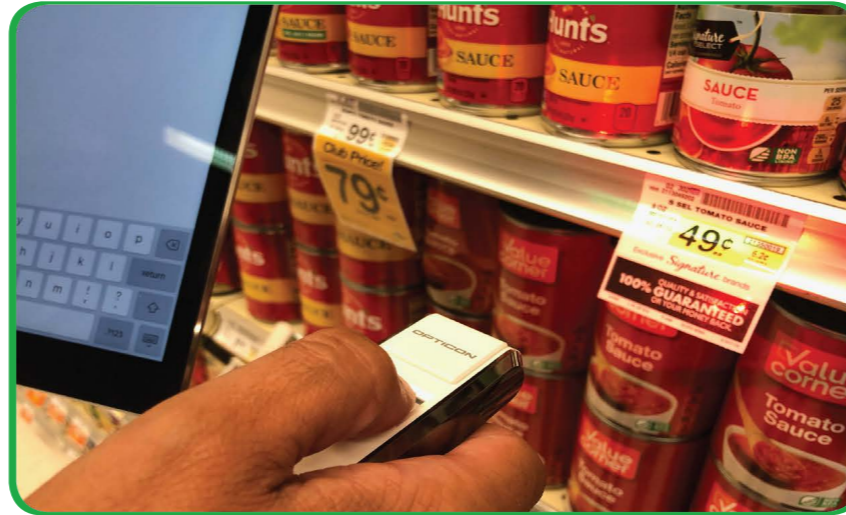
For more information or to schedule a demo, contact Opticon.
Email: sales@opticonusa.com
Phone: 1.800.636.0090

 **OPTICON**

Companion Scanners and Wearables

Featured Opticon Companion Scanners and Wearables are listed below. To view the complete Opticon product line and detailed specifications, visit our website at www.opticonusa.com

[View all Companion Scanners Online](#)



PX-20 2D Bluetooth Companion Scanner

- Small form factor fits comfortably in users hand
- Weighs only 1.4 oz
- Supports Secure Simple Pairing (SSP), Serial Port Profile (SPP) and Human Interface Device (HID) Bluetooth profiles for added flexibility
- Audible and visible feedback after a successful scan
- USB rechargeable, high capacity Lithium-Ion battery
- Extremely reliable and durable (IP54, 6' drop to concrete)



RS-2006 1D Laser Bluetooth Ring Scanner

- Small, hands-free Bluetooth ring scanner
- Enables wireless, real-time scanning into host devices
- Fully programmable with SDK from Opticon
- Price point makes real-time barcode scanning with an Android, Apple, or Windows Mobile host device affordable
- Supports HID and SPP Bluetooth profiles for added flexibility
- High speed, 100 scans/second laser scanner



Wearables Handsfree Scanning Solution

- Flexible configuration options—a variety of sizes, left or right handed, adjustable straps—can be tailored to the work environment
- Perfect solution for anyone who requires the use of both hands while scanning
- Bluetooth® wireless communication provides freedom of movement from the host computer
- Hands-free barcode scanning enables your mobile workforce to safely and quickly streamline high-volume warehouse tasks such as picking, sorting, put away, and packing

Next Steps

For more information or to schedule a demo, contact Opticon.
Email: sales@opticonusa.com
Phone: 1.800.636.0090

 **OPTICON**

Handheld Scanners and Terminals

Featured Opticon Handheld Scanners and Terminals are listed below. To view the complete Opticon product line and detailed specifications, visit our website at www.opticonusa.com

[View all Handheld Solutions Online](#)



L-46X Cabled 2D Imager Scanner

- 100 frames per second (fps) 2D CMOS imager
- Improved scanning of curved, wide and poorly printed barcodes
- Easily and quickly scans 1D or 2D barcodes
- Durable—withstands 6' drop to concrete and IP42 rating
- Stand included
- Available in black or white, RS232 or USB



OPH-1005 Handheld Laser Data Collector

- Features a vibrant color display
- Easy to use 23-key keyboard
- 100 scans/second laser barcode scanner
- IP54 rating against dust and moisture, withstands 5' drop to concrete
- Two communication/charging cradle choices available: CRD-1004 (USB, Ethernet) and CRD-1006 (USB, RS232)



OPL-9815 GPS Bluetooth Laser Data Collector

- Batch data collection or Bluetooth real-time data transfer
- GPS and Real Time Clock for location and time stamping
- 18-key keypad and monochrome 112x64 pixel LCD screen with backlight
- IP54 rating against dust and moisture, withstands 5' drop to concrete
- Enhanced numeric keypad



OPR-2001 Cabled Laser Scanner

- Slim, lightweight (2.1 oz), yet durable (IP 42; withstands 5' drop to concrete)
- 100 scans/second laser barcode scanner
- Trigger modes: manual, auto-trigger, and stand detection—perfect for retail
- RS232 or USB
- Stand included
- All Opticon scanners are backed by a two year warranty

Next Steps

For more information or to schedule a demo, contact Opticon.
Email: sales@opticonusa.com
Phone: 1.800.636.0090

 **OPTICON**

Fixed Position Solutions

Featured Opticon Fixed Position Solutions are listed below. To view the complete Opticon product line and detailed specifications, visit www.opticonusa.com

[View all Fixed Position Solutions Online](#) ▶



NLV-5201 Fixed Mount 2D Imager Scanner

- 2D CMOS Imager sensor enables ultra-fast 100 frames per second scanning of 1D and 2D barcodes
- Fast global shutter technology with auto exposure
- Exceptional motion tolerance for moving applications
- Green bar LED aim function providing laser-free aiming with nolaser class warning
- Complete unit with integrated decoder
- IP65 rating for water and dust protection
- USB or RS232 interfaces



M-10 Omnidirectional Presentation Scanner

- Stylish, space-saving design that easily fits any workspace or retail counter
- Easily and quickly scans 1D or 2D barcodes
- Output editing process, such as GS1 format, can be easily set
- Omnidirectional scanning via 60 fps 2D imager
- Features LED aiming and auto or manual trigger activation
- USB and RS232 interfaces
- Small countertop footprint: 5.47 x 2.83 x 2.76 in (HxWxD)



F-100 Fixed Position CCD Scanner

- E-paper based displays or full color TFT screen with complete content flexibility
- Ideal solution for retail stores, corporate buildings, healthcare and logistics
- Centralized administration of displays and tags with full visibility
- Displays can interactively adapt to context and audience
- Ensures accurate pricing and product information

Next Steps

For more information or to schedule a demo, contact Opticon.
Email: sales@opticonusa.com
Phone: 1.800.636.0090

OPTICON

Electronic Shelf Labels and Digital Signage

Featured Opticon Electronic Shelf Label and Digital Signage products are listed below. To view the complete Opticon product line and detailed specifications, visit our website at www.opticonusa.com

[View all Electronic Shelf Labels Online](#)



EE-293R 2.9" Electronic Shelf Label

- Key metrics: 2.9 inch, 296 x 128 pixels (WxH), black, white and red resolution, 8:1 contrast ratio and 112 DP
- Bi-Stable display, so the image will remain on the display even after power is disconnected
- Display can be remotely updated via bidirectional communication using an Opticon Base Station
- 100% display and template content flexibility via Opticon server software

EE-420R 4.2" Electronic Shelf Label

- Key metrics: 4.2 inch, 400 x 300 pixels (WxH), black, white and red resolution, 8:1 contrast ratio and 120 DPI
- Bi-Stable display, so the image will remain on the display even after power is disconnected
- Enables on-demand, real-time pricing, promotions and product information
- E-Paper display technology boasts a high contrast ratio and superior viewing angle

EBS-40 Base Station

- Base station for communication between back-end server software and ESL tags
- Centralized administration to all devices with full visibility
- Ideal to update product information, pricing, and inventory levels from a centralized location
- 25-meter radius loading 2,500 tags per station
- Low power consumption
- 802.15.4 based protocol

Next Steps

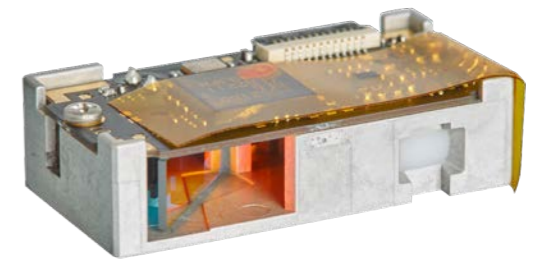
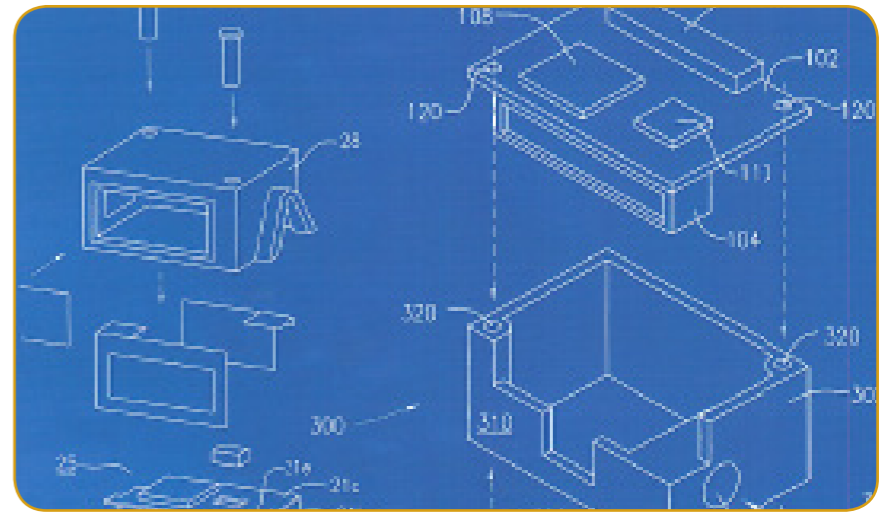
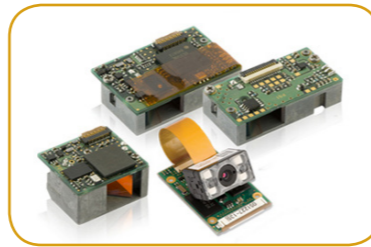
For more information or to schedule a demo, contact Opticon.
Email: sales@opticonusa.com
Phone: 1.800.636.0090

OPTICON

OEM Scanning Solutions

Featured Opticon OEM solutions are listed below. To view the complete Opticon product line and detailed specifications, visit our website at www.opticonusa.com

[View all OEM Solutions Online](#)



MDI-4100 2D CMOS Imager Scan Engine

- Industry's thinnest (10mm) 2D imager barcode scan engine
- Features an integrated camera and decoder in an ultra-miniature module
- High-speed performance ensures stress free scanning and fast response without being affected by hand movement and light conditions
- Data editing program function captures up to 16 codes on multiple images simultaneously
- Very low power consumption

MDI-5010 2D CMOS Imager Scan Engine

- 1280 x 800 pixel CMOS sensor allows for wide angle reading
- Data editing program function: capture and combine up to 16 codes on multiple images simultaneously
- Ultra-fast 120 (fps) CMOS imager sensor enables high speed scanning of 1D and 2D barcodes and OCR fonts
- Fast global shutter technology offering exceptional motion tolerance for moving applications
- Low power and an adjustable power consumption to fit design needs

MDC-200 CCD Barcode Scan Engine

- 300 scans/second CCD barcode scan engines
- Small form factor, low power consumption
- Solid-state design with no moving parts equates to better MTBF
- Perfect for integration into small, space-constrained mobile, medical, or retail barcode scanning devices
- Engineering kits available with all scan engines enables faster time to market

MDL-1500 Laser Barcode Scan Engine

- 650 nm visible laser diode that scans bi-directionally at 100 scans/second
- Small size makes it easy to mount
- Low power consumption to fit your design needs
- Communication: Serial CMOS - 12 pin FFC connector, USB-HID, USB-COM
- All OEM solutions backed by two year warranty

Next Steps

For more information or to schedule a demo, contact Opticon.
 Email: sales@opticonusa.com
 Phone: 1.800.636.0090

